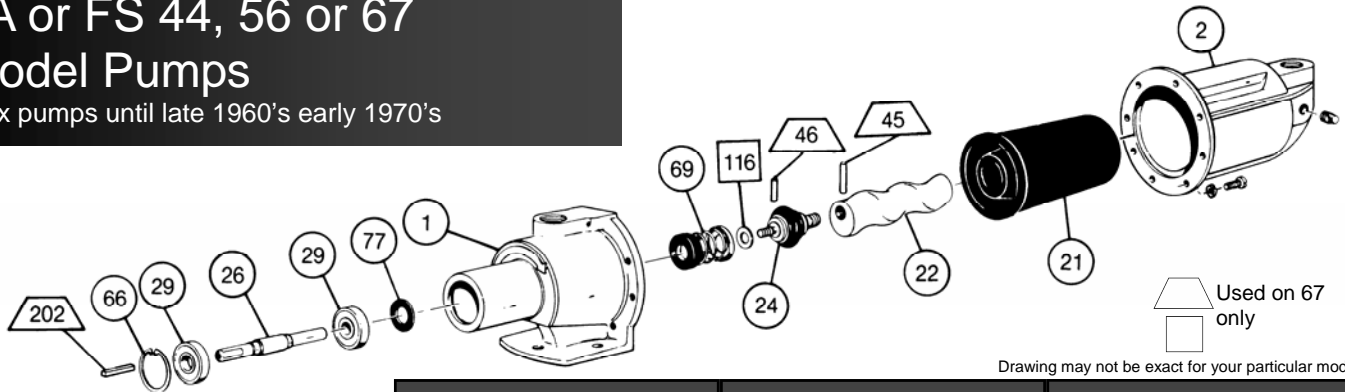


Elox Coolant Pumps

FA or FS 44, 56 or 67 Model Pumps

Elox pumps until late 1960's early 1970's

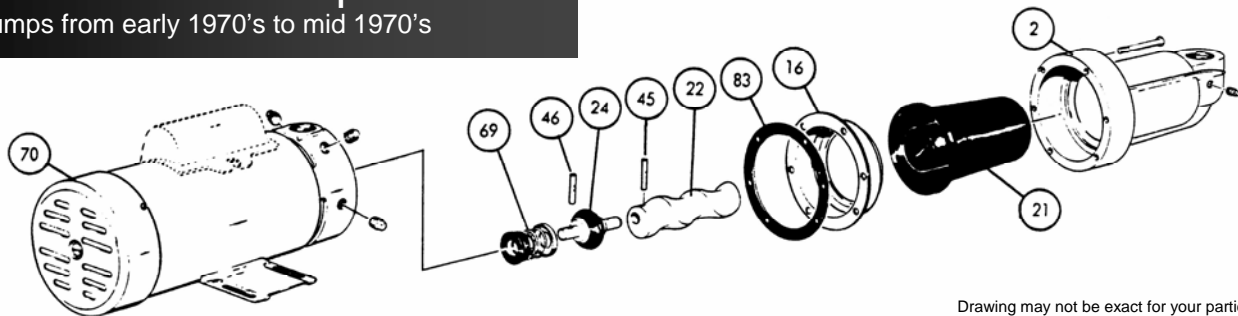


Drawing may not be exact for your particular model.

Drawing #	Description	FS-FA 44		FS-FA 56		FS-FA 67	
		ZAP Part #	Elox Part #	ZAP Part #	Elox Part #	ZAP Part #	Elox Part #
1	Pump Body	-	312090-443	-	312090-563	-	312090-673
2	Suction Housing	-	312090-441	-	312090-561	-	312090-671
21	Stator	167030	312090-445	168030	312090-565	169030	312090-675
22	Rotor	167040	312090-444	168040	312090-564	169040	312090-674
24	Universal Joint	167050	312090-442	168050	312090-562	169050	312090-672
26	Drive Shaft	167060	312090-446	168060	312090-566	169060	312090-676
29	Ball Bearing	167070	312090-447	168070	312090-567	169070	312090-677
45	Rotor Pin	-	-	-	-	169065	312090-670
46	Shaft Pin	-	-	-	-	169065	312090-670
66	Snap Ring	167080	312090-449	168080	312090-569	169080	312090-679
69	Rotary Seal	167090	312090-448	168090	312090-568	169090	312090-678
77	Slinger Ring	167100	312090-4413	168100	312090-5613	169100	312090-6713
116	Washer	-	-	-	-	-	-
202	Shaft Key	-	-	-	-	-	-

EM 837 Model Pump

Elox pumps from early 1970's to mid 1970's



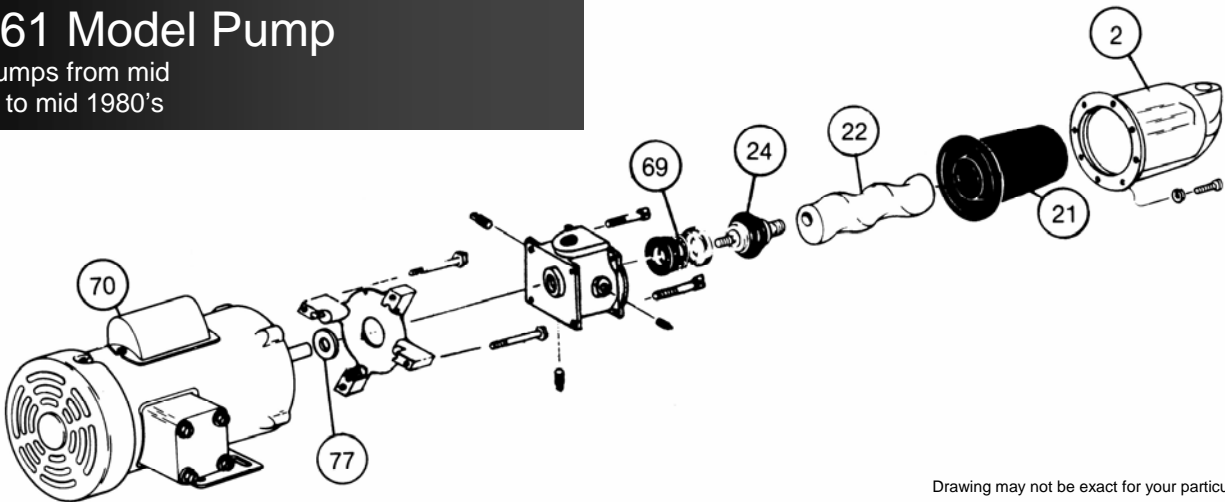
Drawing may not be exact for your particular model.

Drawing #	Description	ZAP Part #	Elox Part #	Drawing #	Description	ZAP Part #	Elox Part #
2	Suction Housing	-	319824-2	45	Rotor Pin	167135	319824-45
16	Stator Retainer	-	319824-16	46	Shaft Pin	167140	319824-46
21	Stator	167030	319824-21	69	Rotary Seal	167090	319824-69
22	Rotor	167040	319824-22	70	Motor	-	319824-70
24	Pin Type Universal	167130	319824-24	83	Gasket	167145	319824-83

To Order: 1-800-759-2839

34461 Model Pump

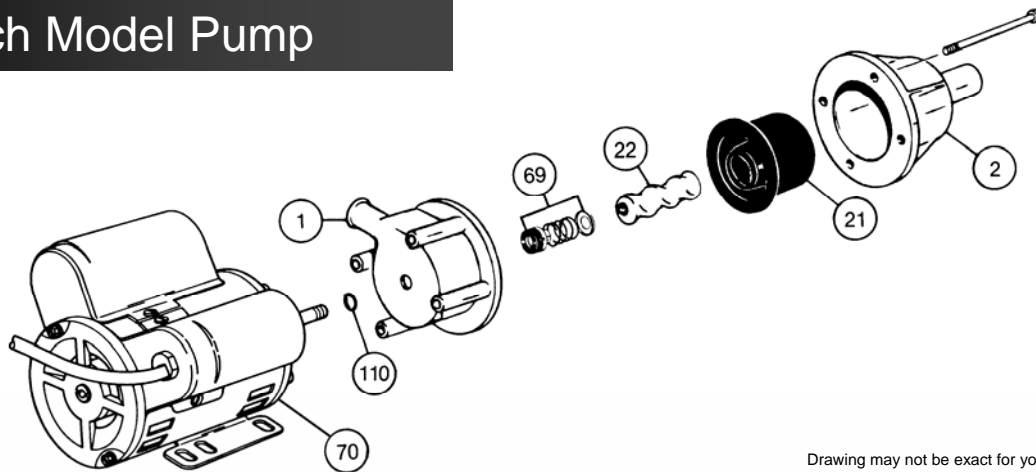
Elox pumps from mid 1970's to mid 1980's



Drawing may not be exact for your particular model.

Drawing #	Description	ZAP Part #	Elox Part #	Drawing #	Description	ZAP Part #	Elox Part #
2	Suction Housing	-	320014-102	69	Mechanical Seal	167090	311426-408
21	Stator	167030	311426-405	70	Motor	-	320114-105
22	Rotor	167040	311426-404	77	Slinger Ring	167100	320114-107
24	Universal Joint	167050	311426-402				

Elox Bench Model Pump



Drawing may not be exact for your particular model.

Drawing #	Description	ZAP Part #	Elox Part #	Drawing #	Description	ZAP Part #	Elox Part #
1	Pump Body	-	-	69	Mechanical Seal	167540	09590-3
2	Suction Housing	-	-	70	Motor	-	-
21	Stator	167520	09592-2	110	Slinger Ring	call	-
22	Rotor	167545	09591-4				

Turbine Pump Upgrades

Turbine pumps are a maintenance free alternative to the original stator and rotor system provided by Elox. These pumps eliminate the need for replacement boots which reduces dielectric fluid loss and machine down time. EDM ZAP also has complete turbo filtrations system upgrades including the turbine pump, a freeflow dual stack filter canister and a machine mounted bracket.



EDM ZAP
1108 Front Street
Lisle, Illinois 60532
Fax: 630-852-3678
www.edmzap.com
Phone: 630-852-1699

EDM filters are also available.

To Order: 1-800-759-2839